

**INSTRUCTIONS FOR INSTALLING AN UPPER AND LOWER DOOR HINGE REPLACEMENT KIT IN A NATIONAL VENDORS® , CROWN SEVENTY TWO® MERCHANDISER EQUIPPED WITH A LEFT-OPENING DOOR**

**CHECK THE PARTS RECEIVED IN THE KIT WITH THE PARTS LIST IN THESE INSTRUCTIONS. IF ANY PARTS ARE MISSING, CONTACT NATIONAL VENDORS' PARTS DEPARTMENT IMMEDIATELY.**

Read these instructions carefully and thoroughly before installing the kit. Retain these instructions for part number and installation information.

Upper and Lower Door Hinge Replacement Kit, part number 117-2267, contains the following parts:

Part Number	Description	Quantity
117-2037	Lower Door Hinge Assembly	1
117-2030	Upper Door Hinge Assembly	1
424-2145	Lower Hinge Bearing	1
117-2266	Installation Instructions * * *	1

**Special Requirements:**

**20" long, 1" x 3" wooden block (two required for GG-424)  
"C" Clamp with 3" jaws (two required for GG-424).**

**TO INSTALL THE KIT**

**CAUTION**

**Some Cabinet Doors are extremely heavy and require at least two men to lift and handle.**

1. Use the "C" Clamp to attach a support block to the Cabinet Door as shown in Figure 1. For the GG-424 Merchandiser, attach a support block to both the Outer and Inner Doors as shown in Figure 2.

**NOTE**

*Step 2 applies to the GG-424 Merchandiser only. Steps 3 through 7 apply to all Merchandisers.*

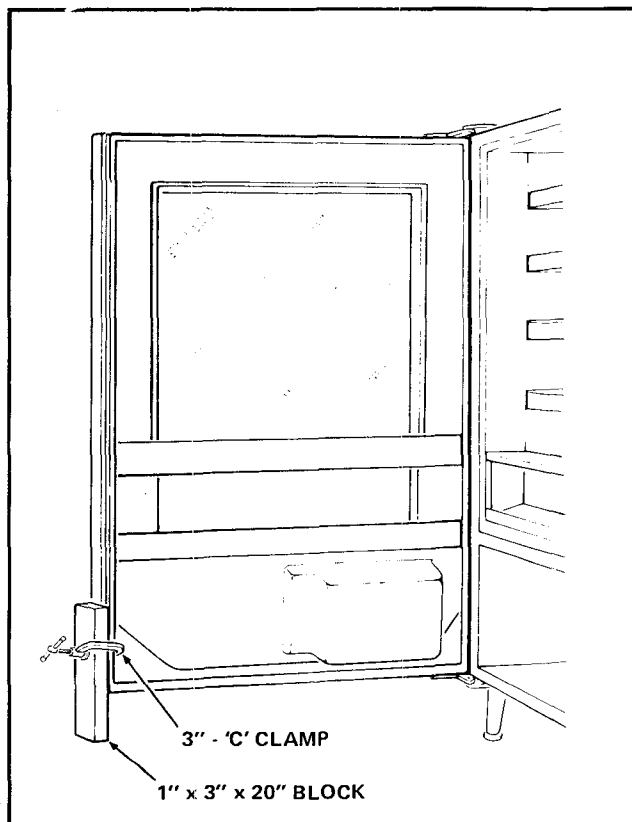
2. Remove the Cabinet Center Light and the Left End Insulation Block for access to the two Nuts which attach the Upper Door Hinge Assembly. See Figure 3.
3. Remove the two Carriage Bolts and Nuts attaching the Upper Door Hinge Assembly to the Cabinet.
4. Remove the two Flat Hd. Screws and Nuts attaching the Upper Door Hinge Assembly to the Cabinet Door.

5. Attach the replacement Upper Door Hinge Assembly included in the kit, part number 117-2030, to the Cabinet and Cabinet Door with the Carriage Bolts, Screws and Nuts removed in Steps 3 and 4. Do not fully tighten Nuts at this point. See Figure 4.

**CAUTION**

**For a proper fit between Door and Cabinet, the Upper Door Hinge Assembly must be adjusted correctly as described in Step 6.**

6. Adjust the Upper Door Hinge Assembly so that:
  - a. The outside edge of the Left Door Trim is flush with the edge of the lower portion of the Hinge Assembly as shown in Figure 5.



**FIGURE 1**

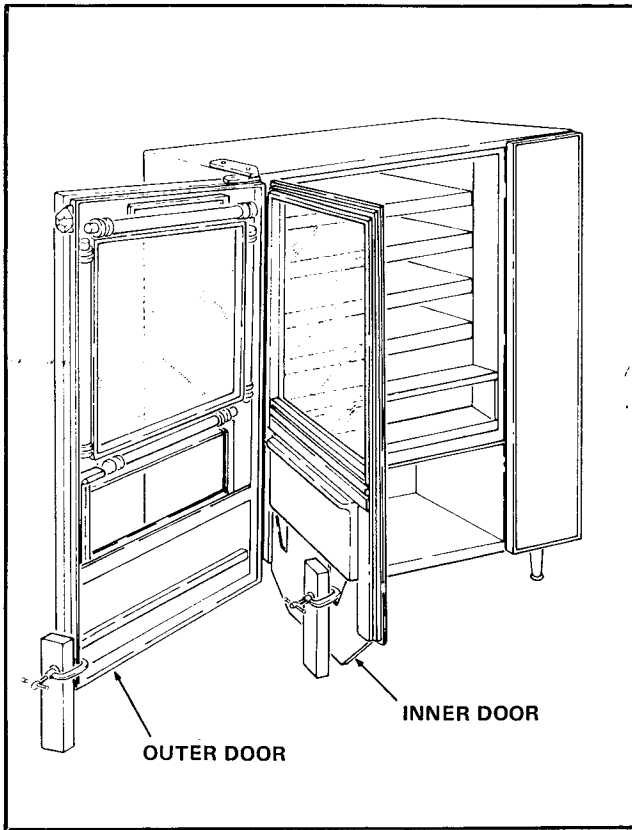


FIGURE 2

b. The front edge of the Left Door Trim is aligned with an imaginary center line through the Hinge Pin. See Figure 5.

7. With the Upper Door Hinge Assembly adjusted correctly, tighten the attaching Nuts installed in Step 5.

**NOTE**

*Step 8 applies to the GG-424 Merchandiser only. Steps 9 through 14 apply to all Merchandisers.*

8. Latch the Inner Door to the Outer Door and attach the support block as shown in Figure 1.

**NOTE**

*Installation of the replacement Lower Hinge and Hinge Bearing may be made easier by applying a small quantity of grease to the Bearing and placing it on the pin on the Lower Hinge before installing both parts on the Cabinet as described in Step 12.*

9. Remove the two Flat Hd. Screws and Nuts attaching the Lower Door Hinge Assembly to the Cabinet Door.
10. Carefully supporting the Cabinet Door, slowly move the door until it is free of the Lower Door Hinge Assembly.

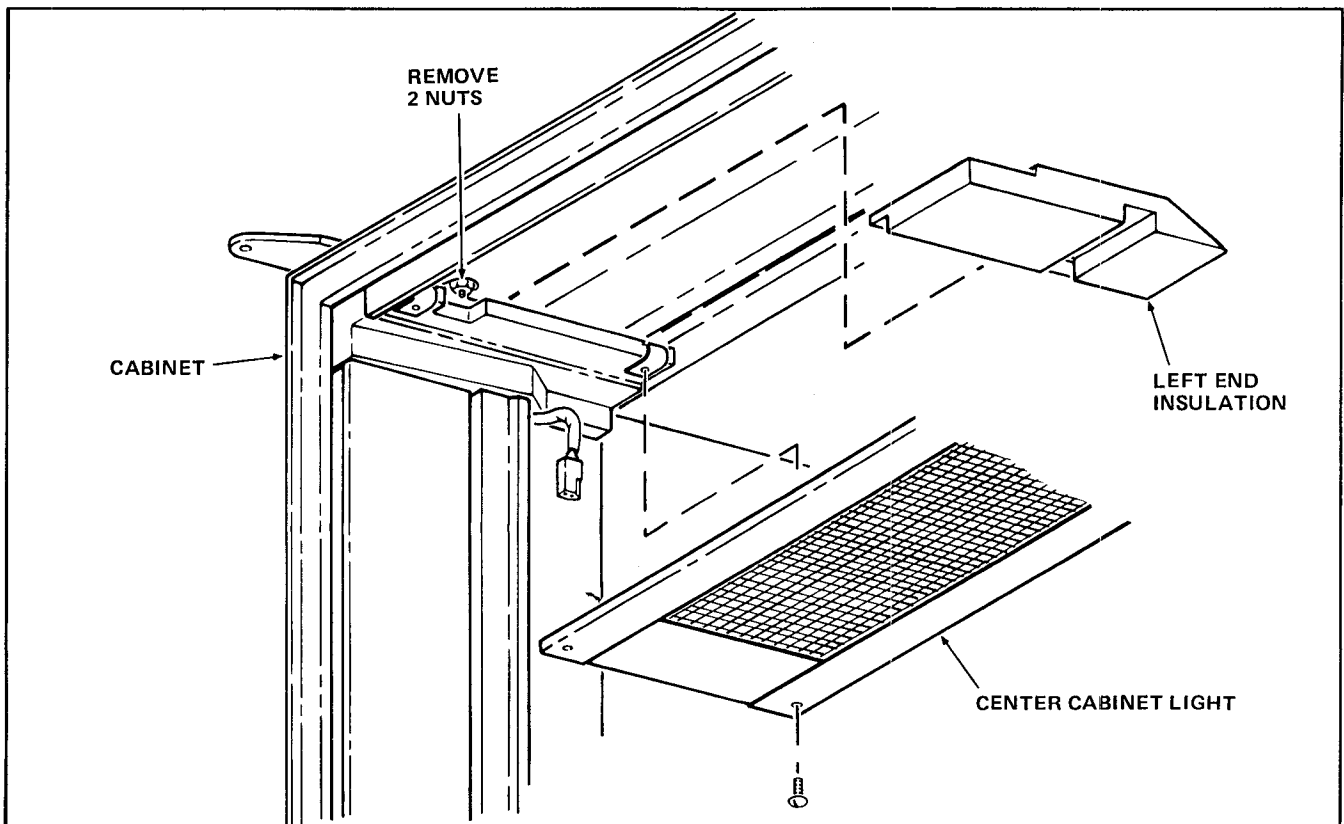


FIGURE 3  
2 of 4

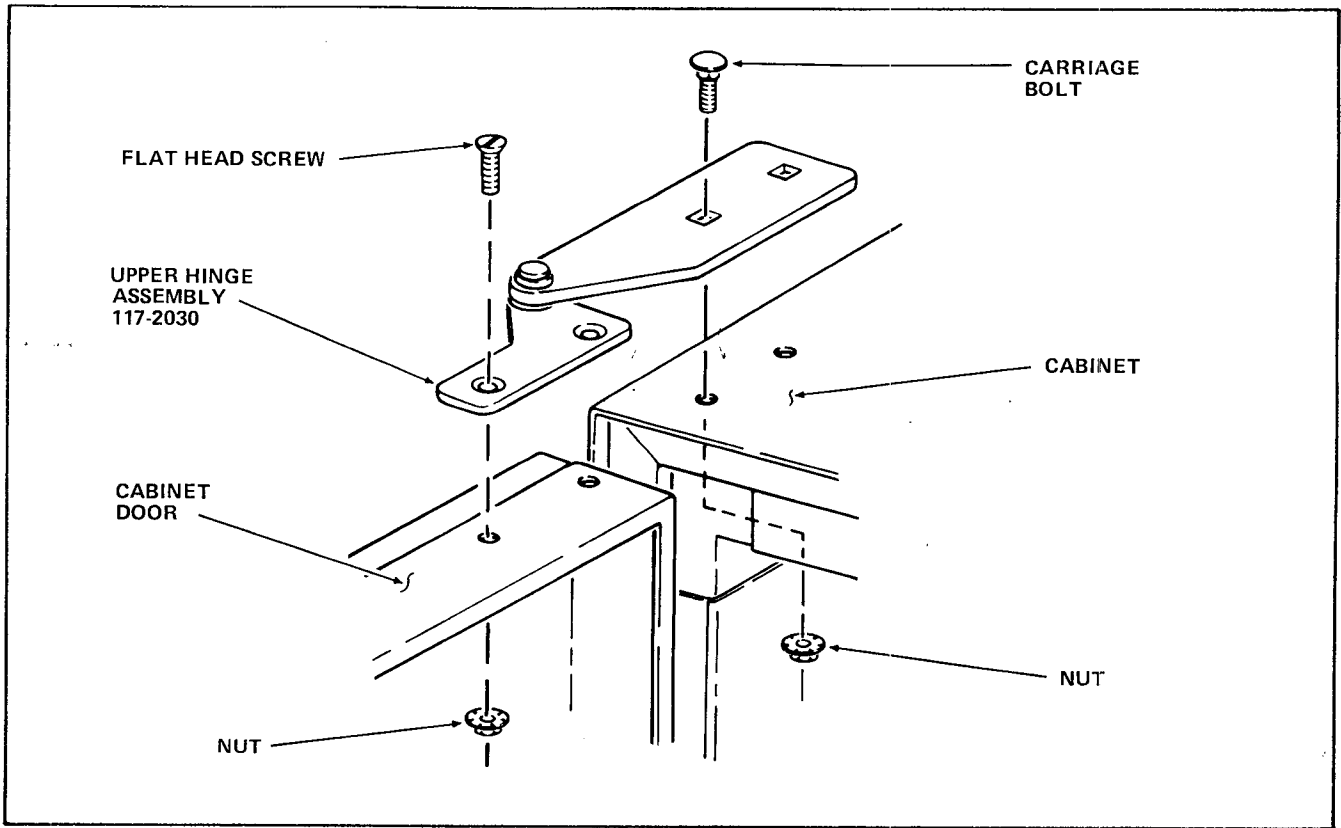


FIGURE 4

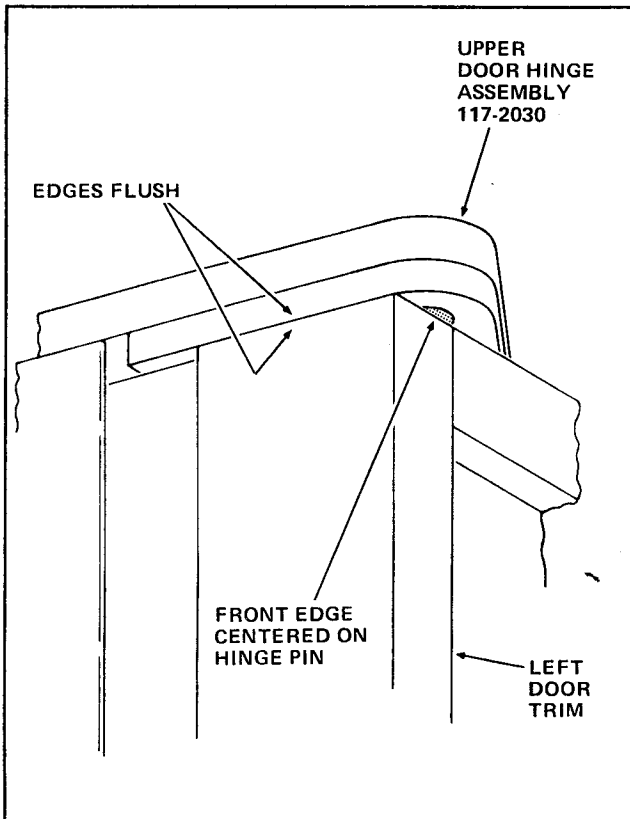


FIGURE 5

11. Remove the Lower Door Hinge Assembly from the Lower Cabinet Hinge.
12. Install the Lower Hinge Bearing, part number 424-2145, and the replacement Lower Door Hinge Assembly, part number 117-2037, on the Lower Cabinet Hinge as shown in Figure 6. Both parts are included in kit.
13. Move the Cabinet Door to align the holes in the door with those in the replacement Lower Door Hinge Assembly. See Figure 6.
14. Attach the replacement Lower Door Hinge Assembly to the Cabinet Door with the two Screws and Nuts removed in Step 9. See Figure 6.

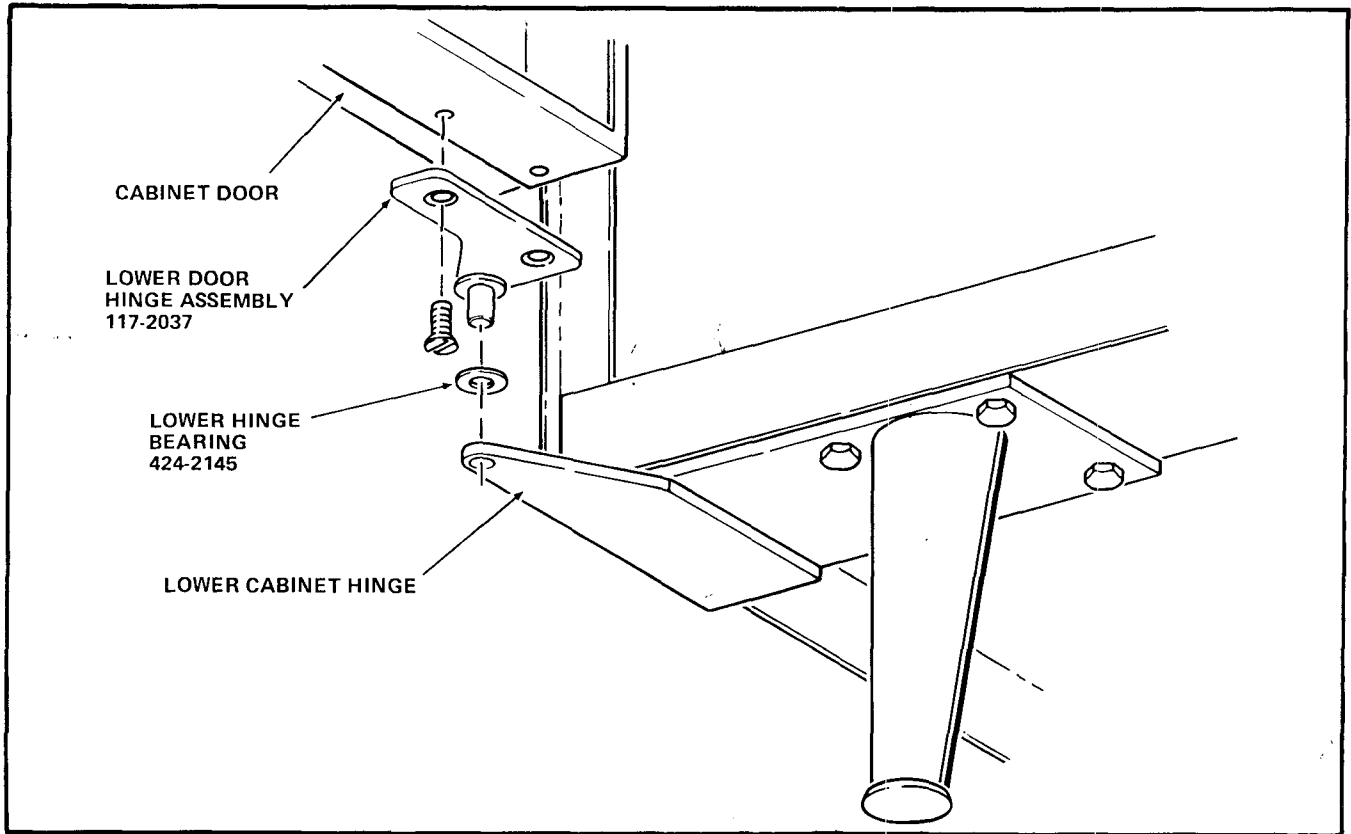


FIGURE 6